

DØRVÆLGER

SF-250F · SF-350F

How the coordinator works

If the second door in order begins to close first, the lever of the coordinator stalls it in slightly open position. As the other door overtakes, its outer edge brushes against the lever, causing the latter to collapse sideways. The second door can then continue to close, tucking the lever away beneath itself as it does.

This mechanism ensures that, whichever door begins to close first, the final closing order is the correct one.

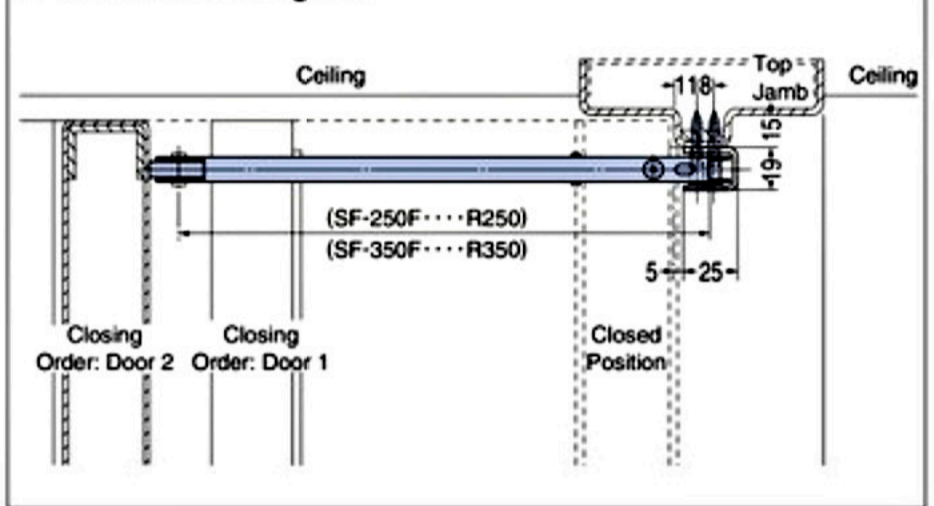
Maintenance

If the angle of the stop lever begins to deviate from the standard setting, it can be readjusted using the angle adjusting screw at the base of the lever.

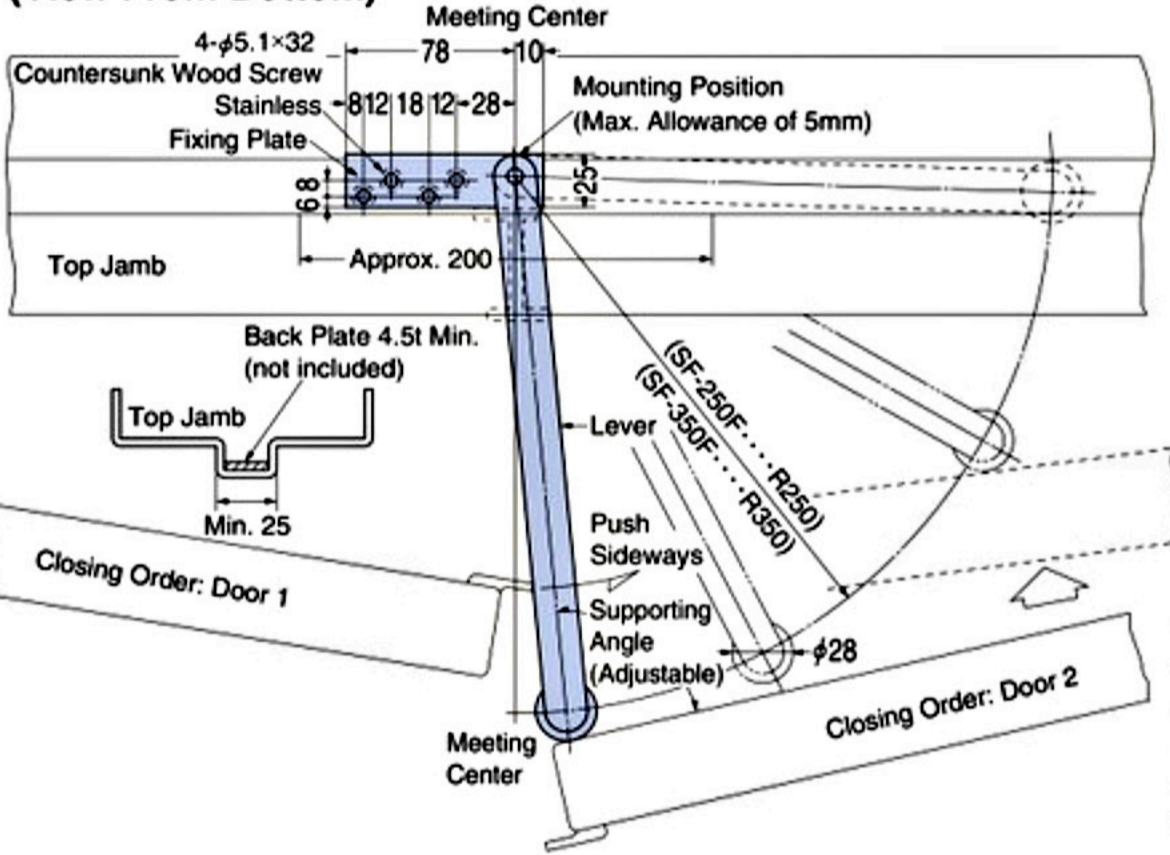
Mounting instructions

- Align the center of the support shaft the lever with the center of the gap between the closed doors.
- The mounting base is attached to the underside of the ridge projection from the upper crosspiece of the doorway frame. The edge of the mounting base should be flush with the edge of the ridge, and the ridge itself should be at least 25mm in width. A backplate of 200mm length and at least 4.5mm thickness should be attached to the underside of the ridge first.

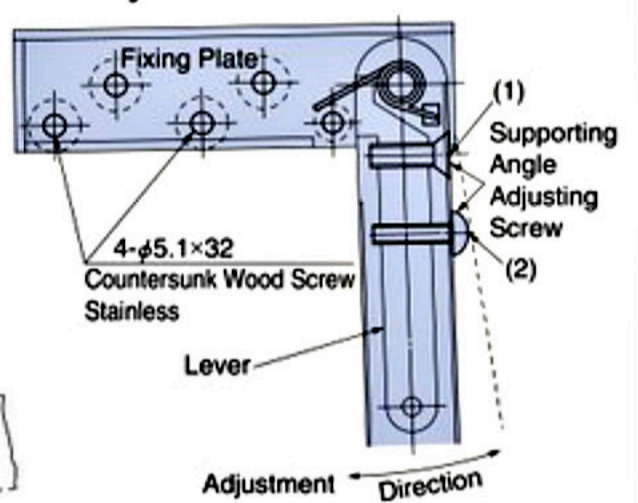
Installation Diagram



(View From Bottom)

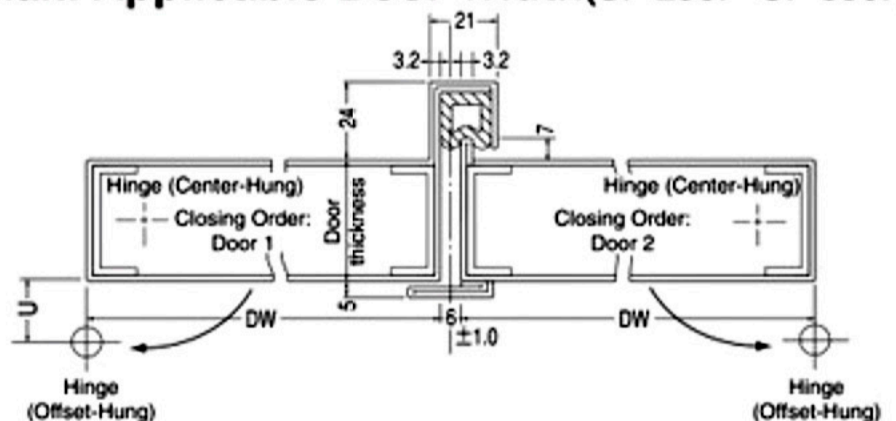
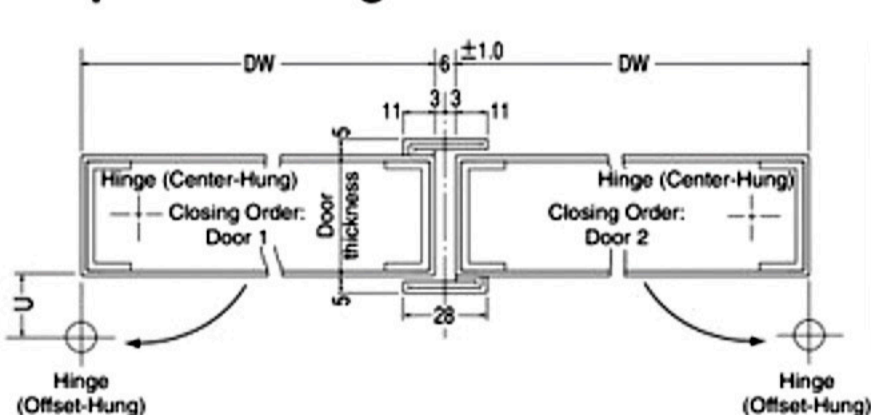


Adjustment



When the supporting angle of the lever is not satisfactory, due to a pair door, irregular door widths or any gap at the meeting center of the doors, adjustments can be made by turning the adjusting screws (1) and (2) at the base of the lever.

Shape of Meeting Structure Batten and Max. Applicable Door Width(SF-250F·SF-350F)



Door thickness	U									
	Offset-Hung								Center-Hung	
	16~19		22~25		28		38		SF-250F	SF-350F
40	1180	2000	1080	1920	1030	1880	870	1750	1490	2330
45	1100	2000	1000	1920	950	1880	800	1720	1520	2360
50	1020	1970	920	1860	870	1810	730	1630	1540	2390
55	940	1880	840	1770	800	1720	660	1540	1500	2420
60	860	1790	770	1680	730	1630	610	1450	1470	2400

Door thickness	U									
	Offset-Hung								Center-Hung	
	16~19		22~25		28		38		SF-250F	SF-350F
40	1000	1900	900	1800	850	1750	690	1590	1200	2100
45	920	1820	820	1720	770	1670	610	1510	1200	2100
50	840	1740	740	1640	690	1590	530	1430	1150	2050
55	760	1660	660	1560	610	1510	450	1350	1100	2000
60	680	1580	580	1480	530	1430	370	1270	1050	1950

* 1. Consult your NIPPON DOOR CHECK representative for dimensions other than the above. mm (max.)
2. Closing Order: Door 2 size: 500mm min. for SF-250F
650mm min. for SF-350F

* 1. Consult your NIPPON DOOR CHECK representative for dimensions other than the above. mm (max.)
2. Closing Order: Door 2 size: 500mm min. for SF-250F
650mm min. for SF-350F